

**DATE:** October 22, 2009  
**TO:** Prospective Bidders  
**RE:** Addendum #2 to the Bidding Document for  
Field House Renovation  
Rains I.S.D.  
Emory, Texas



**NOTICE TO BIDDERS:**

This Addendum forms a part of the Contract Documents and modifies the original bidding documents dated October 5, 2009. Acknowledge receipt of this Addendum in the space provided on the Bid Form. Failure to do so may subject Proposer to disqualification.

This Addendum consists of 1 page, 2 Supplemental Drawings, 1 Structural attachment (1 page) and 1 MEP attachment (2 pages).

**DRAWINGS:**

Item #01:

**A1.0/02:** See attached SD-01/01 for revised partial site plan.

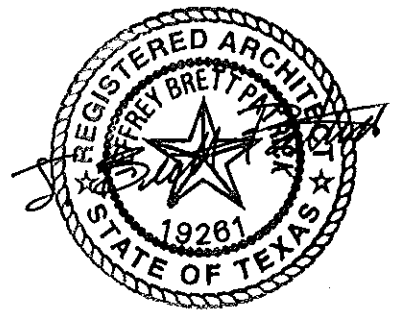
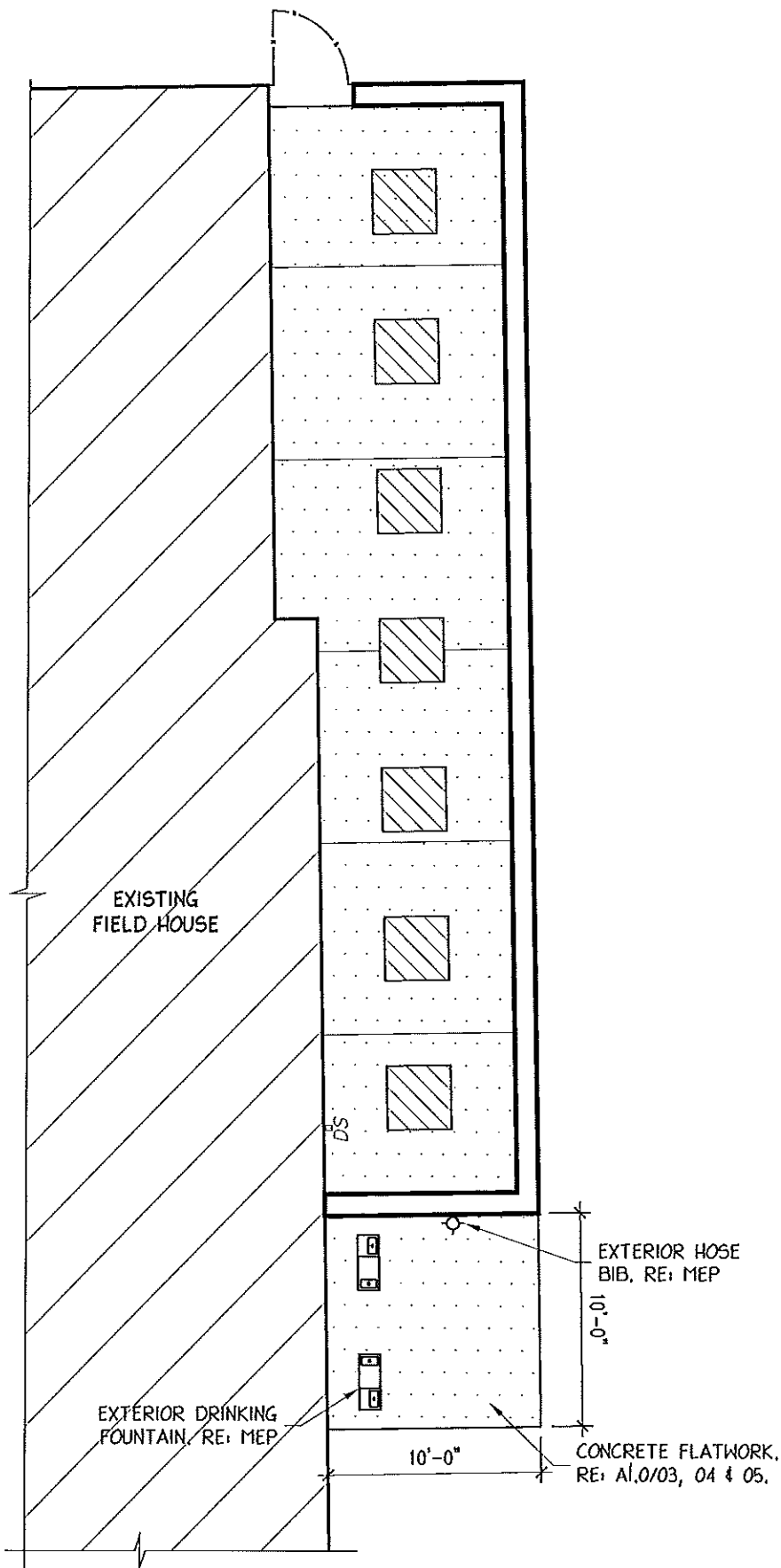
Item #02:

**A4.0/11 & 17:** See attached SD-02 for revised section details at whirlpool deck. Provide 30" wide access panel on north end of deck.

Item #03:

**A5.0/MW01 & MW02:** Revise height of locker room bench to 1'-6" in lieu of 1'-4".

**END OF ADDENDUM No. 2.**



10-23-09

**EUBANKS • HARRIS**  
**ROBERTS • CRAIG**  
 ARCHITECTS, INC. [www.charchitects.com](http://www.charchitects.com)

**FIELD HOUSE  
 RENOVATION**

RAINS, I.S.D.  
 EMORY, TEXAS

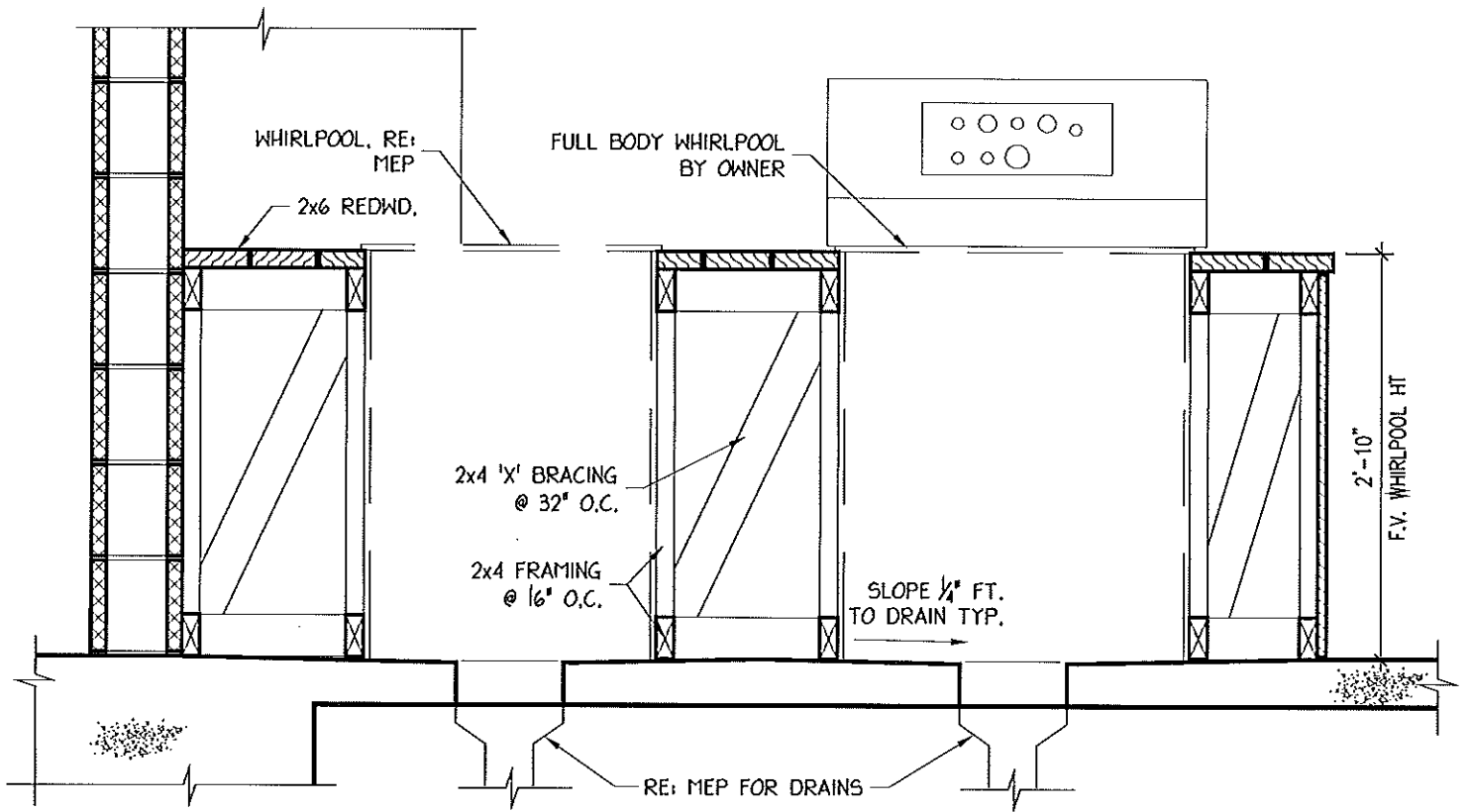
PROJ: 2009-26 DATE: 10-23-2009

ADDENDUM No. 02

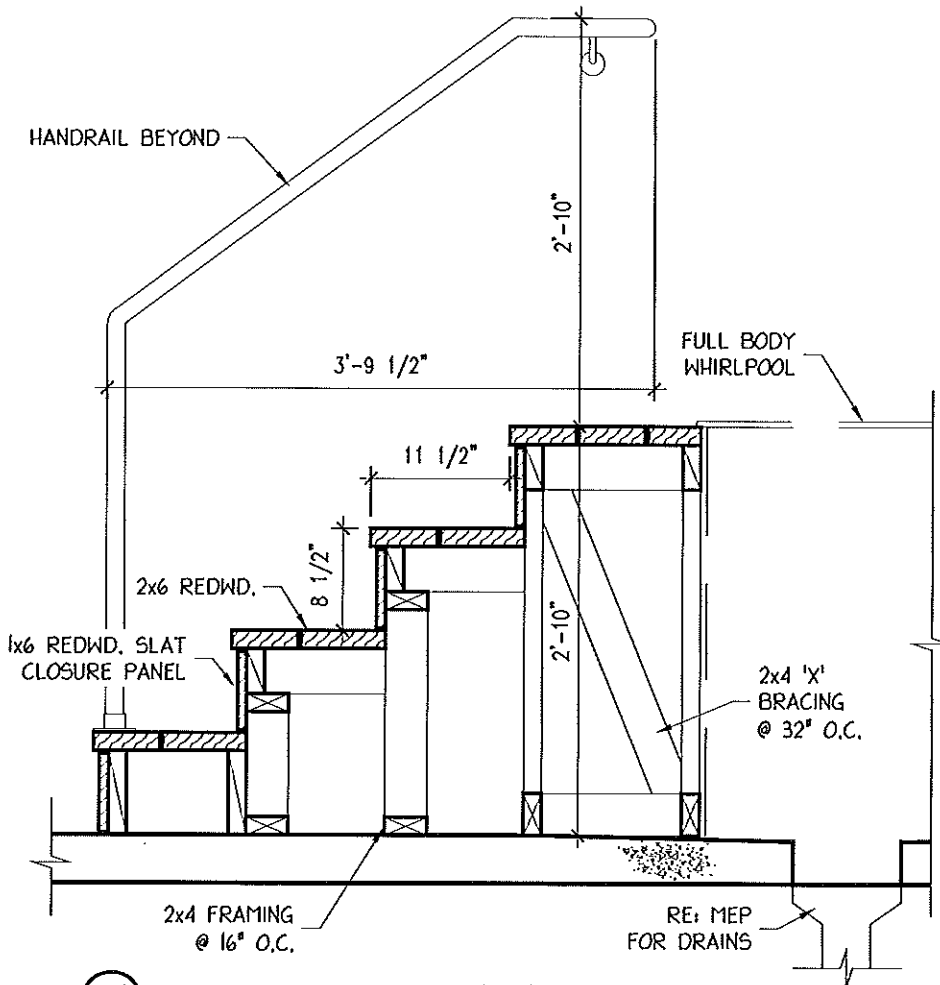
SD-01



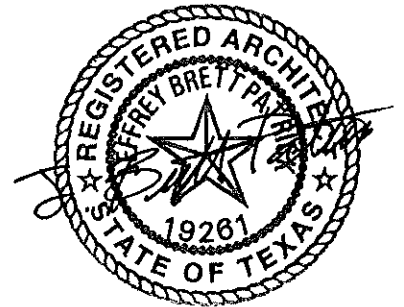
**01 PARTIAL SITE PLAN**  
 1/8" = 1'-0"



02 SECTION AT WHIRLPOOL DECK  
3/4" = 1'-0"



01 SECTION AT WHIRLPOOL DECK  
3/4" = 1'-0"



10-23-09

EUBANKS • HARRIS  
ROBERTS • CRAIG  
ARCHITECTS, INC. www.eharchitects.com

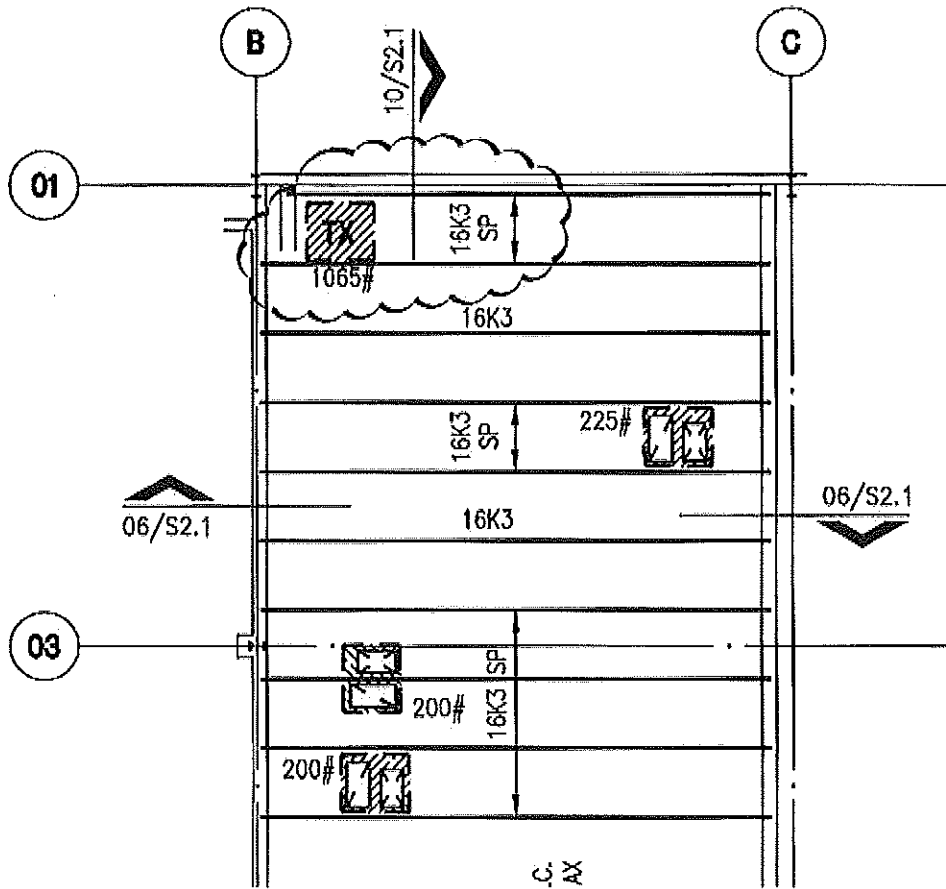
FIELD HOUSE  
RENOVATION

RAINS I.S.D.  
EMORY, TEXAS

PROJ: 2009-26 DATE: 10-23-2009

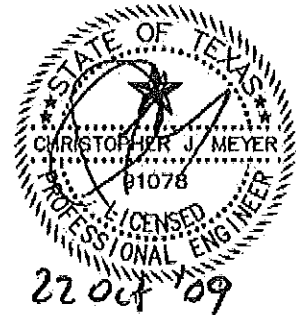
ADDENDUM No. 02

SD-02



# 01 PARTIAL MEZZANINE PLAN

SCALE: 1/8" = 1'-0"



THIS DRAWING SHALL NOT BE REPRODUCED FOR ANY PROJECT OR LOCATION OTHER THAN THE PROJECT AND LOCATION NOTED IN THE TITLE BLOCK WITHOUT THE WRITTEN CONSENT OF UNIFIED BUILDING SCIENCES & ENGINEERING, INC.

<p>UNIFIED BUILDING SCIENCES &amp; ENGINEERING, INC. 405 INTERNATIONAL PARKWAY, SUITE 209 • RICHARDSON, TX 75081 PH: 972.783.8683 • FAX: 972.783.8684 www.ubscorp.com TEXAS REGISTERED ENGINEERING FIRM (E-14)</p>	PROJECT NAME: <b>RAINS ISD</b>	DATE: <b>10/22/09</b>	PROJECT #: <b>29048</b>
	DRAWING TITLE: <b>PARTIAL MEZZANINE PLAN</b>	SCALE: <b>SCALE</b>	SHT: <b>ADD02</b>

**ADDENDUM ITEMS  
FIELD HOUSE RENOVATION  
RAINS I.S.D.  
EMA PROJECT NO. 84/269-1**

**ELECTRICAL**

**DRAWINGS**

Sheet ED.1

- A. Refer to Floor Plan.
1. In gym area, all light fixtures are to be removed and returned to owner.

Sheet E.1

- A. Refer to Floor Plan.
1. Provide and install metal surface-mount raceway by Wiremold on inside of CMU walls (East and South walls) to mount all interior outlets in. Provide a continuous horizontal run between outlets. Provide as few vertical runs as possible. Mount raceway under mirrors.
  2. At all exterior outlets, reuse existing outlet locations where possible. Where circuits must come down wall to outlet, combine circuits in a common raceway to keep number of runs coming down the wall to a minimum. Use vertical runs of metal surface-mount raceway inside where possible to get down the walls.

Sheet EL.1

- A. Refer to Floor Plan.
1. In gym area, all light fixtures are to be removed and returned to owner.

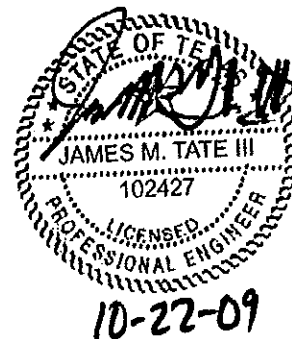
**PLUMBING**

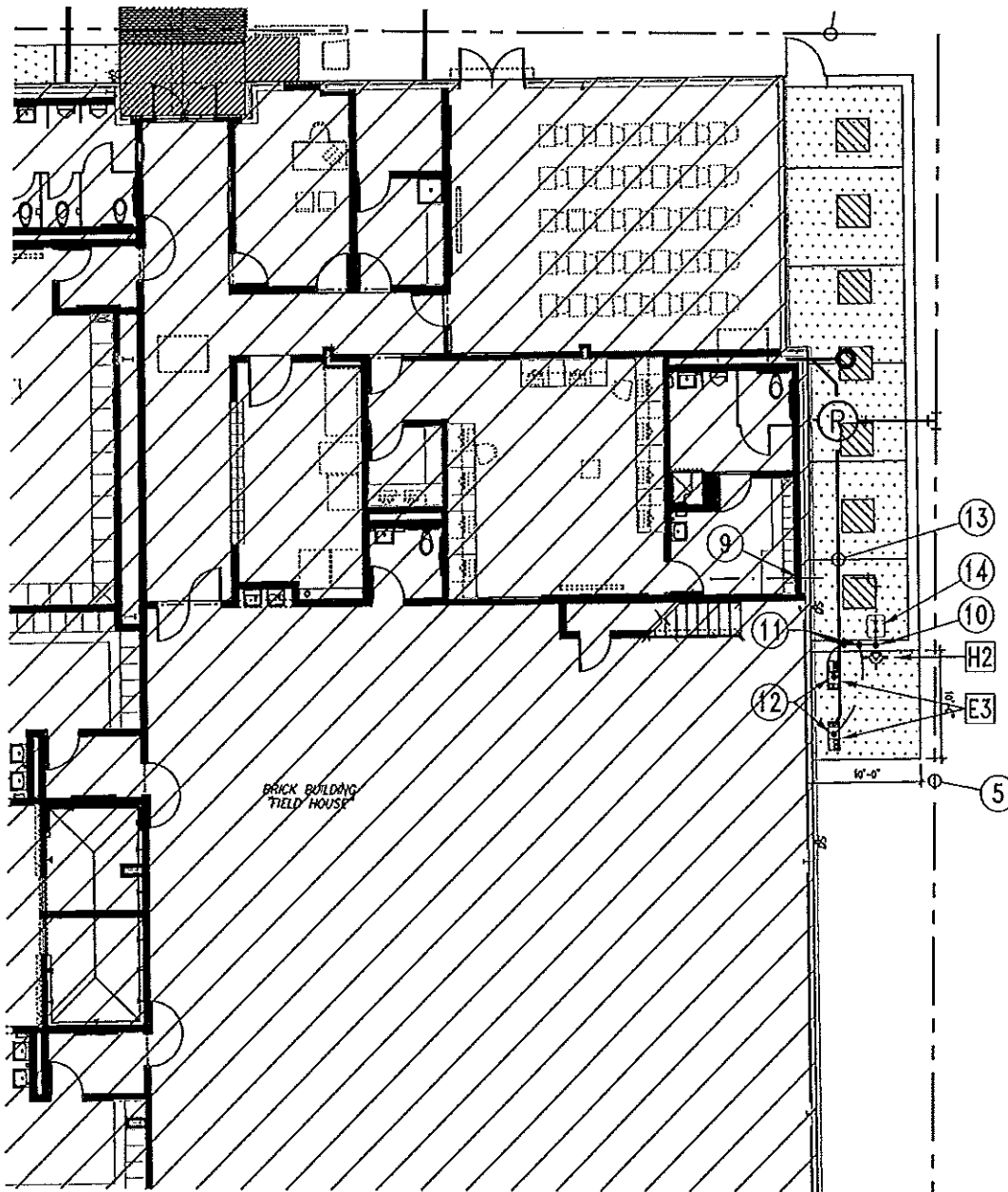
**DRAWINGS**

Sheet P1

- A. Refer to floor plan.
1. Refer to attachment PS1A for new drinking fountain locations.

**End of Addendum Items.**



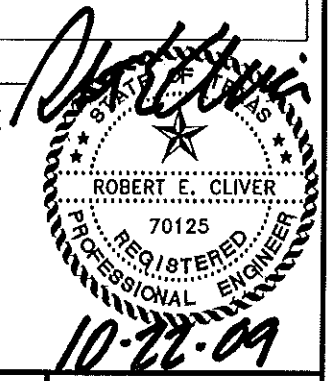


E3 EXTERIOR DRINKING FOUNTAIN	HALSEY TAYLOR 4595 SANITARY FR		ARCHITECT TO SELECT FINISH
-------------------------------	-----------------------------------	--	----------------------------

**SITE PLAN NOTES:**

- ⑨ 3/4" DOMESTIC WATER DOWN IN WALL TO BELOW GRADE
- ⑩ 3/4" DOMESTIC WATER STUB UP TO HOSE BIBB
- ⑪ 1/2" DOMESTIC WATER DOWN TO BELOW GRADE
- ⑫ 1/2" DOMESTIC WATER STUB UP TO DRINK FOUNTAIN
- ⑬ 3" SANITARY SEWER BELOW GRADE
- ⑭ SHUT OFF VALVE BELOW GRADE

Z:\EHRC Architects\RAINS\84269-1 FIELD HOUSE RENOVATION\PLUMB 84269-1\



FIELD HOUSE  
RENOVATIONS  
RAINS I.S.D.  
EMORY, TEXAS

EMA Project #: 84269  
DATE: 10/22/2009  
ADDENDUM #: #1  
SKETCH: PS1A